

FLARED COMPRESSION

Union MI X C

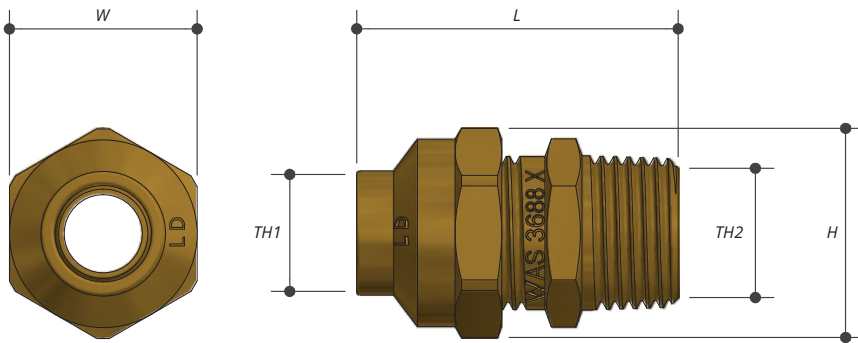
Product Specifications

EBS

770 Hume Highway Yagoona NSW 2199

Phone: 1300 275 327 – 0450 327 327

Email: info@askebs.com.au



Specifications

Maximum working temperature 1°C to 95°C
Maximum pressure rating 1600kPa

Sizing Chart (MM)

	L	H	W	TH1	TH2
AW84	31	20	18	6C	R 1/4" R
AW93	38	24	22	10C	3/8" R
AW102	43	28	25	15C	1/2"
AW102NB	43	28	25	15C	R 1/2"
AW103*	43	28	25	15C	R 1/2" R
A W 111	52	35	32	25C	3/4" R
AW111NB	52	35	32	25C	3/4"
AW119	54	43	38	25C	R 1"
AW125	68	47	47	32C	R 1 1/4"
AW125NB	68	47	47	32C	R 1 1/4"
AW130	71	58	55	40C	R 1 1/2"
AW134	73	71	66	50C	R 2"

* Chrome Plated

Features

Watermark approved
Brass and chrome finish
Tested and certified to AS 3688

Material Chart

Part	Material
Union	DR
Compression Nut	Brass
	DR
	Brass