

FLARED COMPRESSION

Union C X C

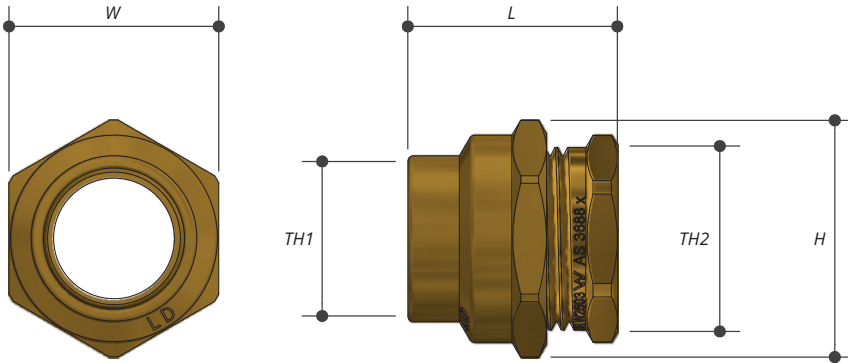
Product Specifications

EBS

770 Hume Highway Yagoona NSW 2199

Phone: 1300 275 327 – 0450 327 327

Email: info@askebs.com.au



Specifications

Maximum working temperature 1°C to 95°C
Maximum pressure rating 1600kPa

Sizing Chart (MM)

	L	H	W	TH1	TH2
AW 73 9	30	28	25	15C	15C
AW740*	30	28	25	15C	15C
A W 741	38	35	32	20C	20C
AW742*	38	35	32	20C	20C
AW743	38	43	38	25C	25C

* Chrome Plated

Features

Watermark approved
Brass and chrome finish
Tested and certified to AS 3688

Material Chart

Part	Material
Olive	DR
Compression Nut	Brass
	DR
	Brass